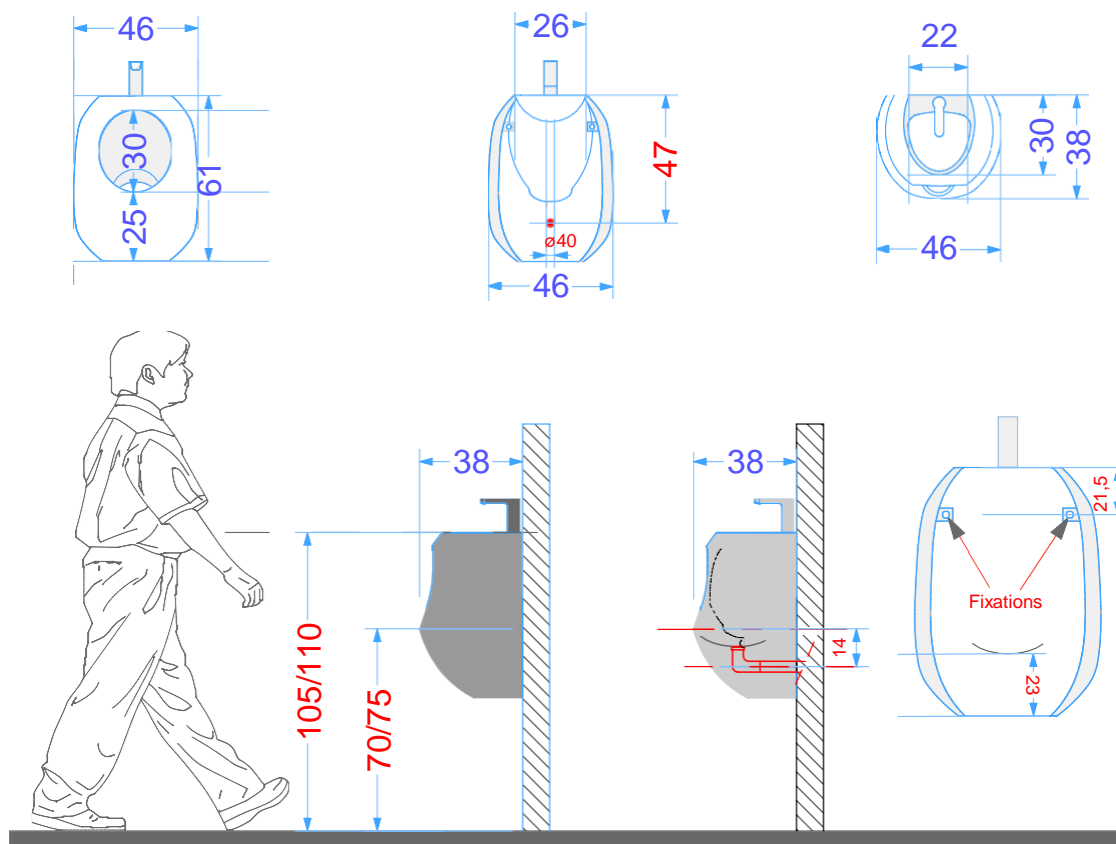


# URIVABO

## INFORMATIONS



### INFORMATIONS :

- WEIGHT: +/- 7Kg
- MATERIALS : COMPOSITE
- MAINTENANCE : SOFT SPONGE AND A SOAP SOFT SOLUTION

### SUPPLIED MATERIALS

